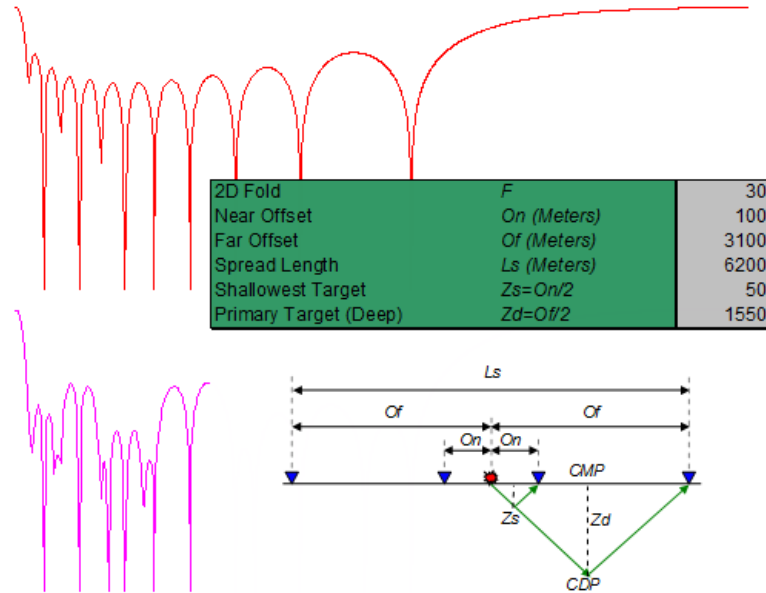


GP-101: Seismic Acquisition & Quality Control



Who Should Attend

This course is intended for Field/QC Geophysicists and Data Acquisition Engineers.

Overview

The course covers all aspects of seismic acquisition techniques and their QC, including seismic recorders and field instrumentation

COURSE CONTENTS

- Data Acquisition Workflow
- Acquisition Targets and Parameters
- Field Geometries
- Fold & Stacking Chart
- Seismic Recorder, Multiplexing
- Seismic Noise and Test Profile
- Filters: Low Cut, High Cut, Notch
- Geophone Groups and Array Response Curves
- SEG Digital Formats
- SPS Format: Observer Reports, Navigation Data
- Modeled Navigation and SPS Data Files
- Telemetric Recorders
- System Tests
- Noise Profile
- Spectral Analysis
- Array Response & Geophone Groups