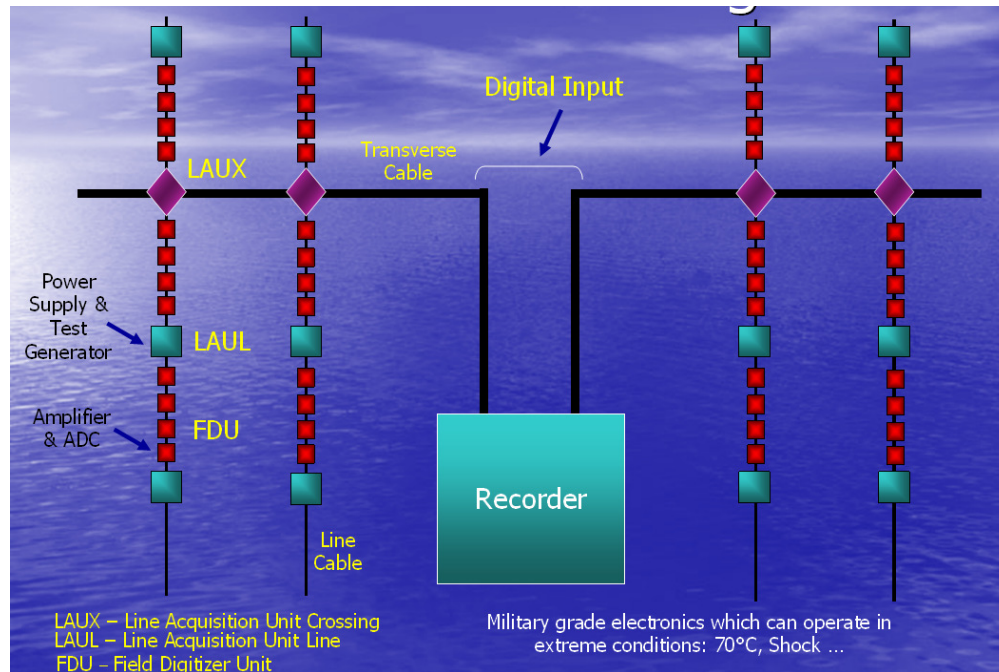


GP-407: Seismic Recorder System Tests



Who Should Attend

Geophysicists, Data Acquisition Engineers

Overview

This course is designed for data acquisition engineers and covers the working of classical as well as modern seismic recorders and their various components. Discusses various types of system tests (initial, daily, monthly) and their usage, geophone test and vibroseis correlation tests. The course also covers seismic and observer reports digital formats, survey design inputs, various spread geometries and their resulting fold coverage.

Contents

- Classical Seismic Recorders
- Modern Seismic Recorders
- Seismic Recorder System Tests
- Geophone Test
- Vibroseis Test
- SEG-D and SEG-Y Formats
- Shell Processing Support (SPS-Format)
- Model Survey Design
- Spread Geometry & Stacking Charts