



OIL & GAS DEVELOPMENT COMPANY LIMITED
PROCUREMENT DEPARTMENT (LOCAL), ISLAMABAD
SCHEDULE OF REQUIREMENT



Material : **Electrical Items**

Due Date:

Tender Enquiry No: **PROC-LD/PE&FD/17829**

Bid Bond Value : **GROUP WISE**

EVALUATION WILL BE CARRIED OUT ON GROUP WISE

Attachment(if any) : **YES**

Group A

Sr No	Description	Quantity	Make/Brand offered	Unit	Unit Price (PKR) Inclusive Of All Taxes Except GST	Unit Price (PKR) Inclusive of GST	Total Price (PKR) Inclusive of GST	Delivery Period Offered	deviation from Tender Spec. If Any
1	SODIUM SAFETY FLOOD LIGHTS 400 WATTS, IP65, ALONG WITH COMPLETE ACCESSORIES LAMP, BALLAST, CAPACITOR & IGNITOR. DETAIL SPECIFICATIONS ARE ATTACHED AT ANNEX-X	80		Number					

Group B

Sr No	Description	Quantity	Make/Brand offered	Unit	Unit Price (PKR) Inclusive Of All Taxes Except GST	Unit Price (PKR) Inclusive of GST	Total Price (PKR) Inclusive of GST	Delivery Period Offered	deviation from Tender Spec. If Any
2	LIGHTING POLE, HOT DIP GALVANIZED, HEIGHT 8 METER (SECTIONS: BOTTOM DIA 8"=3M, MIDDLE DIA 6"=3M, TOP DIA 4"=2M), TOP 4 FEET U CHANNEL, WELDED BASE PLATE 460mmX460mmX16mm WITH 4 HOLES. DETAIL DIAGRAM ATTACHED AT ANNEX-Y.	50		Number					

Group C

Sr No	Description	Quantity	Make/Brand offered	Unit	Unit Price (PKR) Inclusive Of All Taxes Except GST	Unit Price (PKR) Inclusive of GST	Total Price (PKR) Inclusive of GST	Delivery Period Offered	deviation from Tender Spec. If Any
3	POWER CABLE, 16 MM2, 4 CORE, ARMOURED, CU PVC/SWA/PVC, 600/1000 V	2000		Meter					
4	POWER CABLE, 4 MM2, 4 CORE, ARMOURED CU PVC/SWA/PVC, 600/1000 V.	400		Meter					
5	POWER CABLE, 240 MM2, 4 CORE, ARMOURED, CU PVC/SWA/PVC, 600/1000V	150		Meter					
6	POWER CABLE, 10 MM2, 4 CORE, ARMOURED, CU PVC/SWA/PVC, 600/1000V	400		Meter					
7	EARTH CABLE, 10 MM2, CU, PVC, 600/1000V	400		Meter					
8	POWER CABLE, 50 MM2, SINGLE CORE, ARMOURED, CU PVC/SWA/PVC, 600/1000V	1500		Meter					
9	POWER CABLE, 4 MM2, 3 CORE SHEATHED, UNARMOURED, CU	10		Roll (90MTR)					



OIL & GAS DEVELOPMENT COMPANY LIMITED
PROCUREMENT DEPARTMENT (LOCAL), ISLAMABAD
SCHEDULE OF REQUIREMENT

2/6

Material : **Electrical Items**

Due Date:

Tender Enquiry No: **PROC-LD/PE&FD/17829**

EVALUATION WILL BE CARRIED OUT ON GROUP WISE

Group C

Sr No	Description	Quantity	Make/Brand offered	Unit	Unit Price (PKR) Inclusive Of All Taxes Except GST	Unit Price (PKR) Inclusive of GST	Total Price (PKR) Inclusive of GST	Delivery Period Offered	deviation from Tender Spec. If Any
	PVC/PVC, 600/1000V								

Special Note: The prospective bidders also download the master set of Tender Document

- The prospective bidders may keep in touch with OGDCL web site for downloading the clarifications/amendments (if any) issued by OGDCL.
- BID BOND VALUE FOR GROUP A= RS. 42000/-, GROUP B= RS. 57000/- & GROUP C= RS. 151000/- BID VALIDITY: 120 DAYS AFTEF TECHNICAL BID OPENING. DELIVERY LOCATION: NASHPA FIELD, DELIVERY TIME: 03 MONTHS AFTER ISSUANCE OF LPO, PAYMEN TERM: 100% AFTER DELIVERY.

Discount (if any) shall only be entertained on Schedule of Requirement of Bidding Document (Financial Proposal). If the discount is mentioned elsewhere in the bid, the same shall not be entertained.



OIL & GAS DEVELOPMENT COMPANY LIMITED
PROCUREMENT DEPARTMENT (LOCAL), ISLAMABAD
SCHEDULE OF REQUIREMENT

3/6

Mandatory Checklist

Please confirm the compliance of the following mandatory information along with the bid(s) (failing which bids(s) will not be accepted)

Documents	To be Attached with the Technical/Financial Bids	Compliance	
		Yes <input type="checkbox"/>	No <input type="checkbox"/>
Original Bid Bond	Technical Bid	Yes <input type="checkbox"/>	No <input type="checkbox"/>
Copy of NTN Certificate	Technical Bid	Yes <input type="checkbox"/>	No <input type="checkbox"/>
Copy of GST Certificate	Technical Bid	Yes <input type="checkbox"/>	No <input type="checkbox"/>
Confirmation that the Firm is appearing on FBR's Active Taxpayer List	Technical Bid	Yes <input type="checkbox"/>	No <input type="checkbox"/>
Duly signed and stamped Annexure-A (Un-priced)	Technical Bid	Yes <input type="checkbox"/>	No <input type="checkbox"/>
Duly filled, signed and stamped Annexure-B	Technical Bid	Yes <input type="checkbox"/>	No <input type="checkbox"/>
Duly filled, signed and stamped Annexure-D	Technical Bid	Yes <input type="checkbox"/>	No <input type="checkbox"/>
Duly filled, signed and stamped Annexure-L on Company's Letterhead	Technical Bid	Yes <input type="checkbox"/>	No <input type="checkbox"/>
Duly signed and stamped Annexure-M on Company's Letterhead	Technical Bid	Yes <input type="checkbox"/>	No <input type="checkbox"/>
Duly signed and stamped Annexure-N on Non-Judicial Stamp Paper duly attested by Notary Public	Technical Bid	Yes <input type="checkbox"/>	No <input type="checkbox"/>
Duly filled, signed and stamped Annexure-A (Priced)	Financial Bid	Yes <input type="checkbox"/>	No <input type="checkbox"/>
Duly filled, signed and stamped Annexure-C	Financial Bid	Yes <input type="checkbox"/>	No <input type="checkbox"/>
Duly filled, signed and stamped Annexure-E	Financial Bid	Yes <input type="checkbox"/>	No <input type="checkbox"/>



OIL & GAS DEVELOPMENT COMPANY LIMITED
PROCUREMENT DEPARTMENT (LOCAL), ISLAMABAD
SCHEDULE OF REQUIREMENT

4/6


For the Vendors/Contractors who opt to submit Bank Draft/Call Deposit/Pay order against Bid Bond/Performance Bond, our Accounts Department has finalized an arrangement for online payment to such Vendors/Contractors, which will be processed through (IBFT & LFT) for which following information is required:

i.	IBAN No. (International Bank Account Number 24 Digits)	
ii.	Vendor Name as per Title of their Bank Account	
iii.	Contact No. of Company's CEO/ Owner (Mobile & Landline)	
iv.	Bank Name.	
v.	Bank Branch Name and Code	

Name, Sign and Stamp of the authorized official of the Bidder(s) _____

5/6

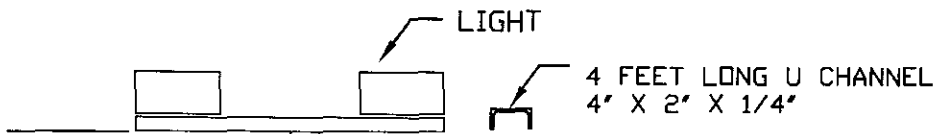
Annexure - X

		DATA SHEET
		WEATHER PROOF SAFETY FLOOD LIGHT
General		
1	Application	Weather Proof High Pressure Sodium Safety flood lights for large area lighting in Oil & Gas Fields.
2	Power Rating	400 Watts High Pressure Sodium Safety flood lights.
3	Ambient Temperature	upto (+) 55°C
Features		
4	Light Source	High pressure Sodium Lamp
5	Light source life	Minimum 28000 hours
6	Light output	Minimum 48000 lumens
7	Ballast	Integral Choke ballast for quick start & steady performance.
8	Ignitor	Yes
9	Lens	Thermal shock & impact resistant. One piece lens cover
10	Mounting	Wall/Pole mounting: builtin slip filter
11	Rated Voltage	AC 220 V 50Hz/ (200V-240V)
12	Design	High Grade Symmetrical Reflector
13	Degree of protection	IP65/66
Standard Material		
14	Body Material	Copper free marine-grade aluminum alloy
15	Reflector	Bright highly polished aluminum
Compliance		
16	Compliance	IP65/66
Accessories		
17	Mounting brackets	Yes
18	Spares	Vendor recommended (Note:- Cost of Spares shall not be the part of financial evaluation.)



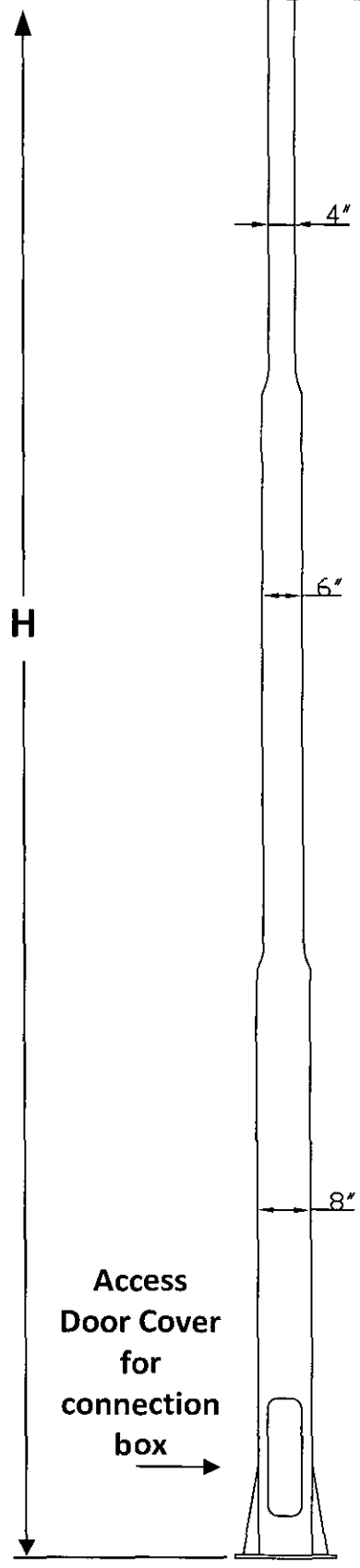
LIGHTING POLE

ANNEX-Y



POLE SPECIFICATIONS

Pipe Material	Surface Finish	Thickness
Mild Steel	Hot Dip Galvalize	6 mm



CONNECTION BOX

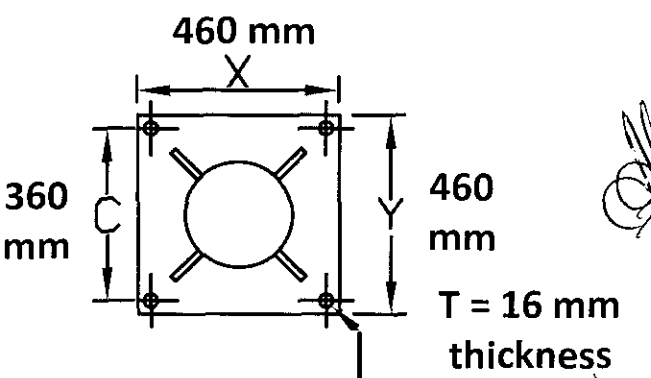
For cable connection. With 10A MCB (miniature cct breaker)

BASE PLATE DIMENSIONS

X x Y x T (mm)	C (mm)
460 x 460 x 16	360

HEIGHT

H (meters)
<u>8.0 m</u>
<u>Sections</u>
8" = 3 m
6" = 3 m
4" = 2 m



NOTE: 4 Holes of 1" dia for insertion of 3/4" studs.