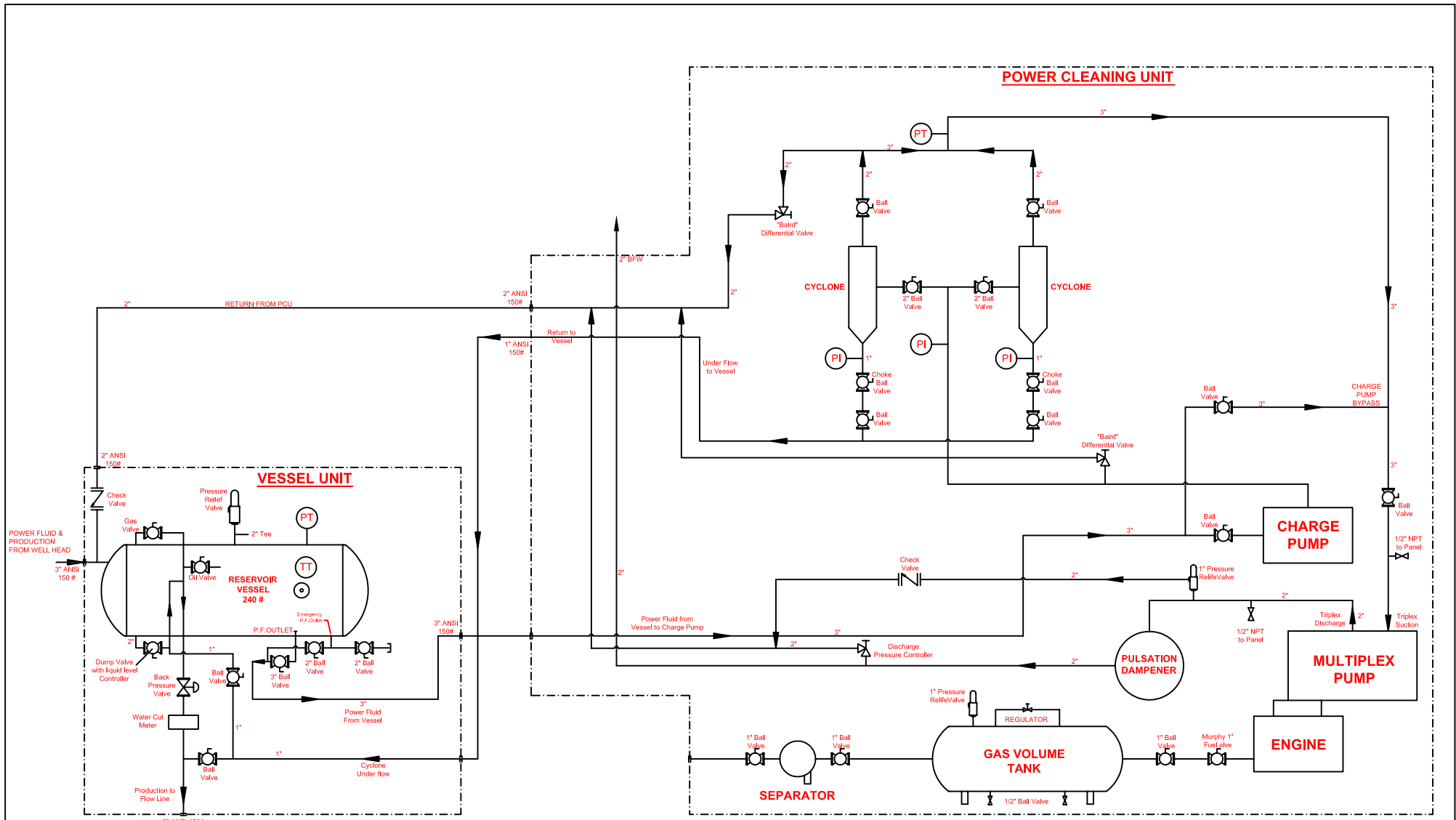


CLARIFICATIONS AGAINST TENDER ENQUIRY NO. AGAINST TENDER ENQUIRY # PROC-FA/CB/PROD-4482/2019 FOR THE PROCUREMENT OF JET PUMP UNITS

1. Clause 6 of SOR page # 2 regarding delivery period may be treated as deleted
2. Legible Soft copy of drawing is being uploaded again.



RevNo	Revision note	Date	Signature	Checked
-------	---------------	------	-----------	---------

Itemref	Quantity	Title/Name, designation, material, dimension etc			Article No./Reference	
CAD BY	Checked by	Approved by	Drawing No.	Computer Code	Date	
	Abid Hussain Shah	Ammad Ghafoor	Rashid Mehmood	PF-TAI-88	PFTA188.DWG	09-09-2005
Owner			Title/Name			
Oil & Gas Development Company Ltd. Petroleum Engineering & Facilities dept. Production Division ISLAMABAD			P & ID OF JET PUMP			
Project:			TANDOALAM OIL COMPLEX	Scale	Sheet	
			XXXXX	XXXXX	XXXXX	