

**OIL & GAS DEVELOPMENT COMPANY LIMITED**  
**PROCUREMENT DEPARTMENT, ISLAMABAD**  
**FOREIGN SECTION A**

(To be completed, filled in, signed and stamped by the principal)

ANNEXURE 'A'

*page 01/04*

al BUTTER FLY VALVES FOR RIGS  
 Enquiry No PROC-FA/CB/DRM-3295/2018  
 te  
 tion Criteria FULL

**SCHEDULE OF REQUIREMENT**

Description	Unit	Quantity	Unit Price (FOB)	Total Price (FOB)	Unit Price C & F BY SEA	Total Price C & F BY SEA	Deviated From Tender Spec. If Any
VALVE, BUTTERFLY C/W HANDEL, SIZE 12", 200 PSI, WAFER STYLE. IP# DEMCO J022127-1215311, BRONCO TS22127-1215311 IASY VALVES, BUTTERFLY VALVE.	Number	60					
VALVE, BUTTERFLY C/W HANDEL, SIZE 10", 200 PSI, WAFER STYLE. IP# DEMCO J022126-1215311, BRONCO TS22126-1215311 IASY VALVES, BUTTERFLY VALVE.	Number	40					
VALVE, BUTTERFLY C/W HANDEL, SIZE 8", 200 PSI, WAFER STYLE. IP# DEMCO J022125-1215311, BRONCO TS-22125-1215311 IASY VALVES, BUTTERFLY VALVE.	Number	60					
VALVE, BUTTERFLY C/W HANDEL, SIZE 6", 200 PSI, WAFER STYLE. IP# DEMCO J0022124-1215311, BRONCO TS-22124-1215311 IASY VALVES, BUTTERFLY VALVE.	Number	90					
VALVE, BUTTERFLY C/W HANDEL, SIZE 4", 200 PSI, WAFER STYLE. IP# DEMCO J022122-1215311, BRONCO TS-22122-1215311 IASY VALVES, BUTTERFLY VALVE.	Number	55					
VALVE, BUTTERFLY C/W HANDEL, SIZE 3", 200 PSI, WAFER STYLE. IP# DEMCO J022121-1215311, BRONCO TS-22121-1215311 IASY VALVES, BUTTERFLY VALVE.	Number	40					

**1. Bid bond:** Pursuant to tender clause # 2.2, 11.4, 13 & 35.3.2, bid(s) must be accompanied by an upfront bid bond in the form of pay order/ demand draft or bank guarantee issued by scheduled bank of Pakistan or a branch of foreign bank operating in Pakistan, for an amount of US\$ 2,000/- (US\$ Two thousand only) or equivalent Pak Rupees, with technical bid and valid for 150 days from the date of opening of the bids. The bank guarantee must be issued in accordance with the format as per Annexure-C of the tender documents.

**2. Shipment from ACU member Countries:** In case of shipment from ACU member countries, the LC beneficiary should be of that particular country from where the consignment is being shipped.

**3. Terms and conditions:** Bidders are advised to carefully read all the terms and conditions of the Tender Document available at OGDCL web site in the master tender document.

**4. Summary rejection criteria:** - The summary rejection criteria at clause 35 of the tender document may also be examined carefully. Any bid not meeting the criteria spelled in the clause # 35 shall be summarily rejected without any right of appeal. The detailed tender document is available on OGDCL website as "Master set of tender document-Foreign".

*Handwritten signature/initials*

5. **Payment Terms:** Clause No: 4 of Section-III (Part-B) i.e. Conditions of Contract "Special" of Tender Document has been amended and following will be the payments methods.

- i. **Tender value less than or equal to US\$ 200,000:**-Payment to the Contractor/ bidder in foreign currency shall be made by establishing in favor of the Contractor an irrevocable Letter of Credit (hereinafter called the L/C). 70 % Payment (s) under the L/C will be made for the FOB/ CFR / CPT (as the case may be) price of material of each shipment upon submission of the shipping documents. Balance 30% Payment will be released after receipt, inspection and acceptance of material.
- ii. **Tender value more than US\$ 200,000:** Payment to the Contractor/ bidder in foreign currency shall be made by establishing in favor of the Contractor an irrevocable Letter of Credit (hereinafter called the L/C). 80 % Payment (s) under the L/C will be made for the FOB/ CFR / CPT (as the case may be) price of material of each shipment upon submission of the shipping documents. Balance 20% Payment will be released after receipt, inspection (in addition of pre-shipment inspection) and acceptance of material.

03/04

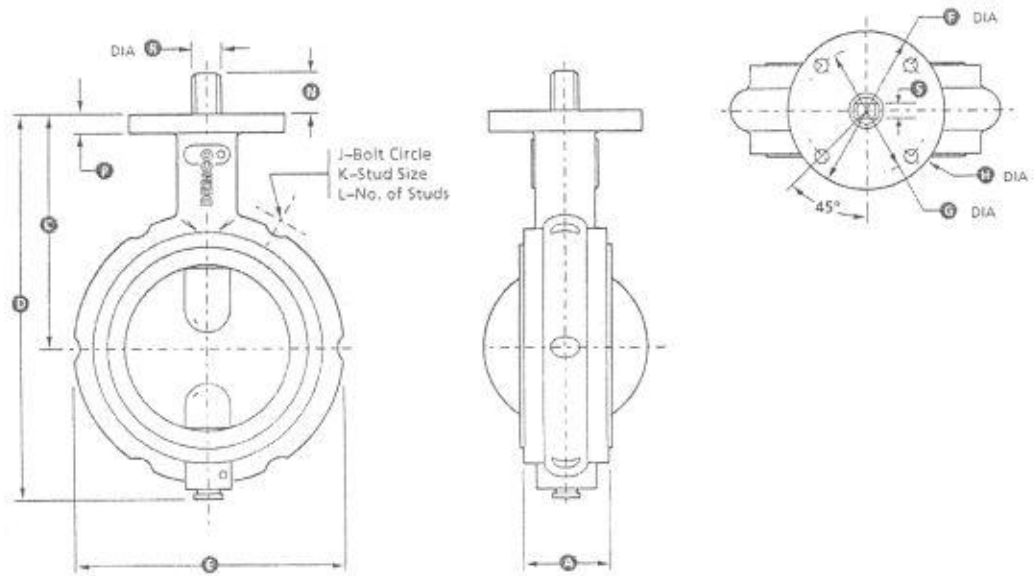
## Terms & conditions & Technical Specs for butter fly valves.

- 1- The bidder should provide at least 10 years the record of previous such supplies (detailed list) made by the bidder to OGDCL or other companies with address, Fax No, Telephone No along with the technical bid.
- 2- The OEM will provide evidence of manufacturing experience at least 15 years of required/ indented butter fly valves.
- 3- Bidder will submit complete description of Serial # 12 & 13 on OEM original letter head pad with sign & stamp with technical bid.
- 4- The bidders to provide O.E.M (manufacturer of the butter fly valves) original certificate along with technical bid, that OEM has authorized the bidder to offer the butter fly valves against tender enquiry of OGDCL.
- 5- Offered butter fly valves should be wafer type (long neck with handle) with complete description as per SOR / attached sketch / drawing.
- 6- The bidder will quote each & complete indented quantity with part number.
- 7- The bidders will provide original documents along with technical bid with sign & stamp, Scanned, Copy or Photo Copy will not be accepted.
- 8- Delivery period will be 60-90 days after establishment of L.C.
- 9- The bidders will submit a confirming certificate that butter fly valves will be new & unused.
- 10- The offered items should be boxed & packed in compact manners to ensure safe transportation during shipment.
- 11- During technical / financial evaluation any commitments, revising agreed between the indenter & bidder will be the part of P.O.
- 12-

Material for butter fly valves		
Sr NO	Description	Material
1	Body Configuration	NE-D Wafer
2	Body material	Ductile Iron (one piece)
3	Stem	SS – 416
4	Disc	SS - 316
5	Seat	Buna – N
6	Handle 10 Position	Ductile Iron
7	Working Pressure (Minimum)	200 PSI

04/04

13- SERIES NE-D DIMENSIONAL DATA  
2" to 12" (50 mm to 300 mm)



Dimensional Data

Size In.	A	C	D	E	F	G	H	J	K	L	N	P	R	S
2	1.74	3.94	6.75	4.12	4.00	3.25	0.408	4.27	3/8	4	1.00	0.44	0.625	0.375
2-1/2	1.86	4.44	7.50	4.88	4.00	3.25	0.408	5.31	3/8	4	1.00	0.44	0.625	0.375
3	1.80	4.88	8.19	5.38	4.00	3.25	0.408	4.91	3/8	6	1.00	0.44	0.625	0.375
4	2.11	6.00	9.88	6.58	4.00	3.25	0.408	7.03	1/2	6	1.00	0.44	0.625	0.375
5	2.24	6.00	10.38	7.75	4.00	3.25	0.408	7.56	1/2	6	1.25	0.44	0.838	0.500
6	2.24	6.50	11.50	8.75	4.00	3.25	0.408	9.16	1/2	8	1.25	0.44	0.838	0.500
8	2.54	8.06	14.19	11.00	6.00	5.00	0.533	11.77	5/8	8	1.38	0.56	0.838	0.500
10	2.74	9.87	17.41	13.38	6.00	5.00	0.533	13.72	5/8	8	1.38	0.56	0.963	0.625
12	3.24	10.91	20.41	16.12	6.00	5.00	0.533	16.62	1/2	12	1.38	0.56	1.338	0.750
Size mm														
50	44	100	171	105	102	83	10.36	108	10	4	25	11.2	15.88	9.53
65	47	113	191	124	102	83	10.36	135	10	4	25	11.2	15.88	9.53
80	47	124	208	137	102	83	10.36	125	10	6	25	11.2	15.88	9.53
100	54	152	251	175	102	83	10.36	139	15	6	25	11.2	15.88	9.53
125	57	152	264	197	102	83	10.36	192	15	6	32	11.2	21.29	12.70
150	57	165	292	222	102	83	10.36	233	15	8	32	11.2	21.29	12.70
200	65	205	360	279	152	127	13.54	298	16	8	35	14.2	21.29	12.70
250	70	253	442	340	152	127	13.54	348	16	8	35	14.2	24.46	15.88
300	87	277	516	409	152	127	13.54	422	15	12	35	14.2	33.94	19.05

**Note:** All above given terms & conditions / Technical specifications is the integral part of indent.

*Vekra*  
**Muhammad Irfan**  
 Chief Technical Officer (RM-PD)  
 OGDCL, Islamabad  
 +92519257701, 0321-8585905