



OIL & GAS DEVELOPMENT COMPANY LIMITED

Request For Quotation (Imports)

OGDCL House, Jinnah Avenue, Islamabad, Pakistan

ANNEXURE 'A':

Description: LUBE OIL PUMP FOR TURBO EXPANDERS AT KPD
Tender Enquiry No: OGDCL-SCM/FA/CB/P&P/KPD-6200000058/2022
Delivery Period: 120 DAYS
Mode of Shipment: C&F BY SEA
Mode of Procurement: COMPETITIVE BIDDING
Evaluation Criteria: FULL CONSIGNMENT WISE
Bid Bond Value: EURO 500
Bid Validity: 180 days
Bidding Procedure: Single Stage Two Envelope
Purchase Req: 20000322
Attachments: TORs

SR NO	Material No	Material Description	Unit	Quantity	Unit Price (FOB)	Total Price (FOB)	Unit Price (CFR)	Total Price (CFR)	Deviation From Tender Spec. If Any
1.	51-03925	PUMP SCREW TYPE, CONNECTIONS SIZE: 1-1/2" X 1", FLOW: 21.4GPM, HEAD: 383 METER, 600# SINGLE STAGE, OEM: LEISTRITZ PUMPEN GMBH, GERMANY, MODEL: L3MG 032/064 IFOGVO-G Or Equivalent.	NO	1					

TERMS & CONDITIONS / SCOPE OF SUPPLY:

1. The scope covers the supply of Complete Three Spindle bare shaft pump (Qty: 01 No) Manufacturer: LEISTRITZ PUMPEN GmbH, Product Type Code: L3MG-032/064- IFOGVO-G or Equivalent.
2. The supplied pump should be exactly same in all aspects and interchangeable with already installed pump having serial number S/N 002070 (Specification & Drawing Attached). Bare shaft pump means, the pump to be supplied with mechanical seal but without motor.
3. This pump shall be installed in place of existing pump, therefore, all dimensions and configuration has to be precisely and accurately same as the above reference model.
4. Pump must be in original OEM packing, new & free from any defect.
5. Pump must have standard OEM warranty/guarantee as per OGDCL tender requirement.
6. In case of equivalent, modified or superseded part number, 100 % replacement with same efficiency, fits & tolerances is required and bidder shall submit the relevant technical literature to prove the same.
7. In case of superseded or modified part number, bidder shall provide OEM letter that superseded or modified part number is exact replacement of part mentioned in the SOR & compatible to install / replace existing pump.
8. Bidders quoting equivalent pump must provide a Certificate from at least three companies from Pakistan or foreign jurisdiction other than bidder's/manufacturer's own country, stating that equivalent pumps are used for lubrication of turbo expanders by them and performance of such parts is found satisfactory. Copies of purchase orders (unpriced) must also be provided. The certificate(s)/sales record is mandatory and due to non-submission thereof, the bid will be rejected.
9. Bidders quoting equivalent pump must also provide all technical literature, detailed drawings including size & dimensions, data sheets, cross section drawing & specifications along with technical bid, otherwise bid will be rejected.
10. In case of equivalent item, Manufacturer must have at least Fifteen (15) years manufacturing experience of Pumps. Necessary documents or copies of unpriced Purchase Orders for proof of experience must be provided along with bid.
11. Bidder shall provide installation, commissioning, operation & maintenance manual along with supply.
12. If bidder finds any ambiguity in specification or any technical detail / data, it should be clarified prior to bid submission.
13. Delivery period: 120 days.

SPECIFICATION SHEET

Manufacturer: Leistrizt Pumpen GmbH

Product: Three Spindle Pump

Product Type Code: L3MG-032/064-IFOGVO-G

Design and Operating Conditio

<u>Description</u>	<u>UOM</u>	<u>Rated</u>	<u>Alt 1</u>	<u>Alt 2</u>
Service Fluid		Lube Oil	Lube Oil	Lube Oil
Viscosity	mm ² /s	32	12.5	32
Temperature	°C	38	57	38
Flow Rate	l/min	81	79	81
Discharge Pressure	barg	37.6	8.6	10.3
Suction Pressure	barg	29	0	0
Differential Pressure	barg	8.6	8.6	10.3
Speed	rpm	2950	2950	2950
NPSH Required	mWC	2.6	2.5	2.6
Power Demand	kW	1.9	1.7	2.2
Efficiency (vol.)	%	93.6	90.8	92.9
Efficiency (mech.)	%	65.6	73.4	67.9
Sound Pressure Level	dB(A)	58	58	59
Pump Installation	Dry Installation			
Applicable Standards & Specifications	Leistrizt Standard Procedures based on DIN/EN-Standards			

Site Data

Ambient Temperature	0 to 40°C
Elevation	<= 1000 m
Location	Indoor (heated)
Special Note:	Bare shaft pump, interchangeable with previous serial no. 002070 without accessories, without motor.

Design

Bearing	Four-point bearing (lubricated by pump fluid)
Mounting	flanged (horizontal or vertical set-up)
Heating	without heating
Mounting Flange	Large mounting flange
Inlet -Outlet	Discharge and suction side flanged connections, staggered
Safety Valve	without valve
Shaft Sealing	Mechanical seal

Verf. 1

Sense of Rotation	Clockwise -seen on the pump shaft
Flow Direction	Staggered from left to right, seen on the pump shaft
Deaeration Design	without

Materials

Pump Casing	S235JR, DIN Code: 1.0038
Screws	16MnCrS5, DIN Code: 1.7139 or equivalent, nitrided
Cover Driving Side	S355J2G3, DIN Code: 1.0570
Liner	EN-GJL-150C, DIN Code: 5.1102
Gasket	Centellen WS 3822 or equivalent

Shaft Sealing

Seal Face	Carbon
Static Face	Silicon Carbide
Secondary Seals, Spring, Metal Parts	Viton, Stainless Steel, Stainless Steel
Design	Single Acting Unbalanced, Independent of Direction of Rotation without quenching
Manufacturer	John Crane
Type	58B

Major Connections

Discharge Flange	ASME; 1"; 600; RF
Suction Flange	ASME; 1 1/2"; 300 lbs; RF

Painting and Preservation

Painting	Leitritz Standard Painting for Temperatures up to 100°C, total dft 110 µm.
Color Final Layer	RAL 5021

Nameplate

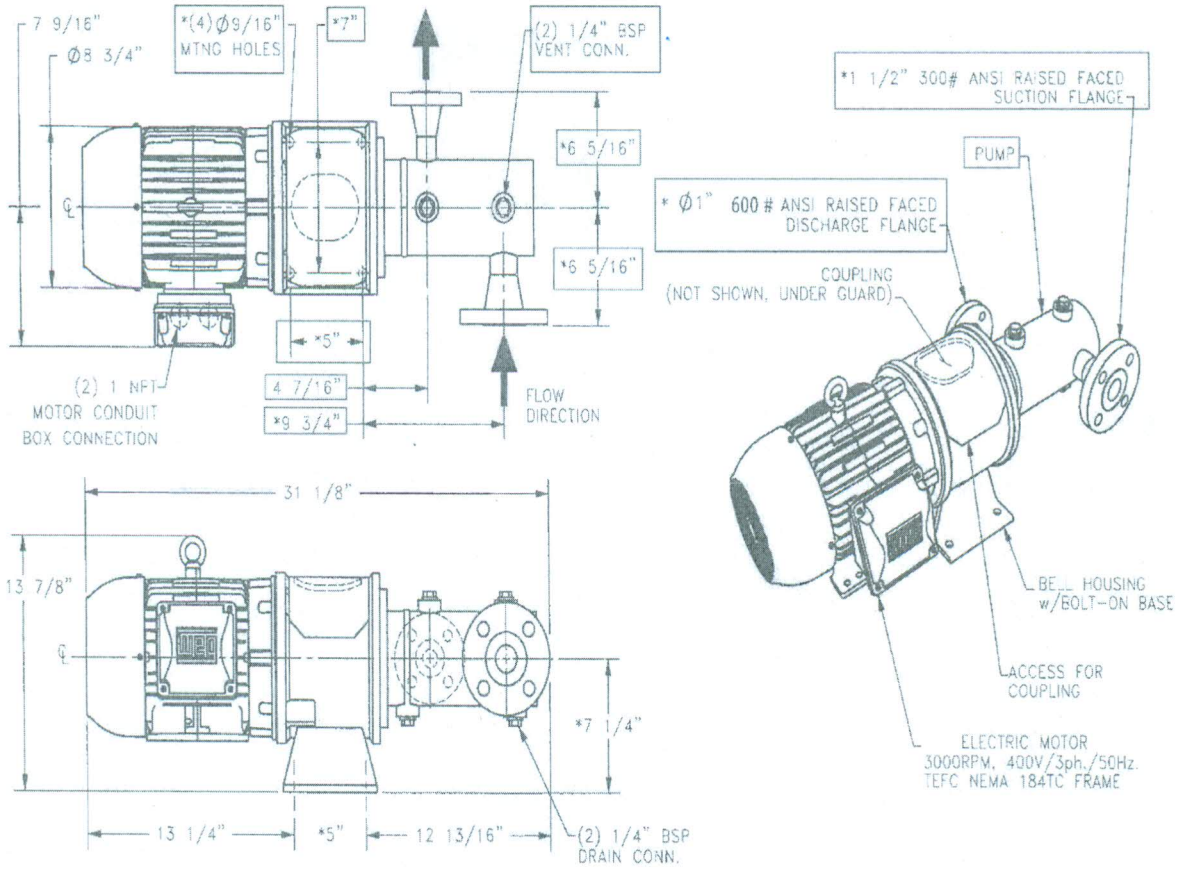
Nameplate	Standard (3 lines large) acc. E1848166
-----------	--

Pump Driver : Not in scope of supply; **Accessories:** No accessories included

Verhandelt
9

Drawing

DRAWING# KPD-TER-4501/5501-032/64



*** ALL DIMENSIONS ARE IN INCHES EXCEPT [mm]
 ALL DIMENSIONS MARKED WITH * ARE QC VERIFIED
 DRAWING MAY BE OUT OF SCALE FOR ANY DIMENSIONS

Handwritten signature and mark