



OIL & GAS DEVELOPMENT COMPANY LIMITED
PROCUREMENT DEPARTMENT (LOCAL), ISLAMABAD
SCHEDULE OF REQUIREMENT

Material :20 NOS CRUDE STORAGE TANKS,CAPACITY 500 BBLs EACH

Due Date:

Tender Enquiry No: **PROC/LF/PT/18095/20**

Bid Bond Value : RS.1,500,000/-

EVALUATION WILL BE CARRIED OUT ON FULL

Attachment(if any) : YES

Sr No	Description	Quantity	Make/Brand offered	Unit	Unit Price (PKR) Inclusive Of All Taxes Except GST	Unit Price (PKR) Inclusive of GST	Total Price (PKR) Inclusive of GST	Delivery Period Offered	deviation from Tender Spec. If Any
1	CRUDE STORAGE TANK CAPACITY 500 BBLs, DETAIL SPECIFICATION AS PER ANNEXURE 'A'.	10		Number					
2	CRUDE STORAGE TANK CAPACITY 500 BBLs, DETAIL SPECIFICATION AS PER ANNEXURE 'A'.	10		Number					

Special Note:- The prospective bidders also download the master set of Tender Document

- The prospective bidders may keep in touch with OGDCL web site for downloading the clarifications/amendments (if any) issued by OGDCL.
- BID VALIDITY 150 DAYS FROM TECHNICAL BID OPENING. DELIVERY PERIOD AS PER CLAUSE NO.4 OF ANNEXURE A FROM LPO ISSUE DATE.PAYMENT TERMS AS PER CLAUSE NO.3(VII) OF ANNEXURE A.

Discount (if any) shall only be entertained on Schedule of Requirement of Bidding Document (Financial Proposal). If the discount is mentioned elsewhere in the bid, the same shall not be entertained.



OIL & GAS DEVELOPMENT COMPANY LIMITED
PROCUREMENT DEPARTMENT (LOCAL), ISLAMABAD
SCHEDULE OF REQUIREMENT

Mandatory Checklist

Please confirm the compliance of the following mandatory information along with the bid(s) (failing which bids(s) will not be accepted)

Documents	To be Attached with the Technical/Financial Bids	Compliance	
		Yes <input type="checkbox"/>	No <input type="checkbox"/>
Original Bid Bond	Technical Bid	Yes <input type="checkbox"/>	No <input type="checkbox"/>
Copy of NTN Certificate	Technical Bid	Yes <input type="checkbox"/>	No <input type="checkbox"/>
Copy of GST Certificate	Technical Bid	Yes <input type="checkbox"/>	No <input type="checkbox"/>
Confirmation that the Firm is appearing on FBR's Active Taxpayer List	Technical Bid	Yes <input type="checkbox"/>	No <input type="checkbox"/>
Duly signed and stamped Annexure-A (Un-priced)	Technical Bid	Yes <input type="checkbox"/>	No <input type="checkbox"/>
Duly filled, signed and stamped Annexure-B	Technical Bid	Yes <input type="checkbox"/>	No <input type="checkbox"/>
Duly filled, signed and stamped Annexure-D	Technical Bid	Yes <input type="checkbox"/>	No <input type="checkbox"/>
Duly filled, signed and stamped Annexure-L on Company's Letterhead	Technical Bid	Yes <input type="checkbox"/>	No <input type="checkbox"/>
Duly signed and stamped Annexure-M on Company's Letterhead	Technical Bid	Yes <input type="checkbox"/>	No <input type="checkbox"/>
Duly signed and stamped Annexure-N on Non-Judicial Stamp Paper duly attested by Notary Public	Technical Bid	Yes <input type="checkbox"/>	No <input type="checkbox"/>
Duly filled, signed and stamped Annexure-A (Priced)	Technical Bid	Yes <input type="checkbox"/>	No <input type="checkbox"/>
Duly filled, signed and stamped Annexure-C	Financial Bid	Yes <input type="checkbox"/>	No <input type="checkbox"/>
Duly filled, signed and stamped Annexure-E	Financial Bid	Yes <input type="checkbox"/>	No <input type="checkbox"/>
	Financial Bid	Yes <input type="checkbox"/>	No <input type="checkbox"/>



OIL & GAS DEVELOPMENT COMPANY LIMITED
PROCUREMENT DEPARTMENT (LOCAL), ISLAMABAD
SCHEDULE OF REQUIREMENT

For the Vendors/Contractors who opt to submit Bank Draft/Call Deposit/Pay order against Bid Bond/Performance Bond, our Accounts Department has finalized an arrangement for online payment to such Vendors/Contractors, which will be processed through (IBFT & LFT) for which following information is required:

i.	IBAN No. (International Bank Account Number 24 Digits)	
ii.	Vendor Name as per Title of their Bank Account	
iii.	Contact No. of Company's CEO/ Owner (Mobile & Landline)	
iv.	Bank Name.	
v.	Bank Branch Name and Code	

Name, Sign and Stamp of the authorized official of the Bidder(s) _____

1. Introduction:

Skid Mounted Crude storage tanks are required for OGDCL Production Fields. The required quantity is 20 Nos. with cap. 500 BBLs each the crude to be handles shall be of API gravity 20-60 Deg.

2. Scope of work:

Bidder has to comply all the following in its technical proposal and is liable to provide the same.

- i. Crude storage tanks shall be constructed in accordance to attached drawing in all respect. All the fitting and pipe line material shall be in accordance to ASME/ANSI Standards and all material shall be in accordance to ASTM Standard. All steel material may be A-36 or SS400 or equivalent.
- ii. Internal FRP coating @ 3mm thickness, to all the surfaces (bottom, side walls and ceiling)
- iii. External coating for all the surfaces
 - 1 coat of zinc rich epoxy primer at 50 microns dft
(Final color shall be approved by OGDCL)
- iv. All the nozzle connections of the tank shall be equipped with gate valve, gasket, stud nut and companion flange with respect to design size, class rating etc of the nozzles. Bidder to confirm the brand of the gate valves. European or USA brands shall be acceptable. Material of the valves must be compliant to the specs of crude oil.
- v. Bidder to provide calibration chart of each tank. Calibration shall be carried out from reputed third party company having at least 05 years experience of working such a jobs. In this regard bidder has to confirm the name of third party company along with detail in Technical Proposal.
- vi. Dip rod (solid brass bar of hexagonal cross section type size 3/4 inch Length shall be as per tank height + Hieght of dip Hatch Nozzle + 12" extra). 02 Nos. laminated calibration chart duly verified and stamped from TPI shall be provided for each tank.
- vii. Hydro testing and integrity of FRP coating of the tank shall be carried out in the presence of OGDCL professional as per prevailing standard procedure.

3. Terms and Conditions

The prospective bidder has to fulfill following requirements and accordingly provide the requisite documents/certificates along with the technical proposal. Compliance is mandatory.

- i. Bidder must have minimum 05 years experience of construction of crude storage tanks. Bidder has to submit last 05 years details of the

3/9

same type of projects as per following formats along with copies of purchase orders.

- a. Name of company
 - b. Size and capacity of the tanks
 - c. Nature of fluid to be stored
 - d. Address and contact # of the company
- ii. Bidder to submit details of its manufacturing facility mentioning address, contact No. and Person name.
 - iii. Bidder should be Tax Registered firm and provision of NTN certificate is mandatory.
 - iv. Bidder must be ISO certified and acquire ISO 9001-2008 valid certificate. Bidder to submit the copies of certificate.
 - v. Only PEC C-4 registered firms are acceptable. Bidder has to submit copy of valid requisite certificates.
 - vi. The prospective bidder must have of annual turnover of Minimum 50 Million. For verification last 03 years audit reports of years 2015-16, 2016-17 and 2017-18 to be submitted along with technical bid. In case of failure to provide along with Technical bid, bid shall be rejected.
 - vii. Bidder has to confirm acceptance that payment shall be made after delivery and successful inspection of material at OGDCL site. Part Delivery part payment shall be acceptable.
 - viii. Bidder has to confirm that OGDCL has the right to visit its facilities at any working day with prior information to check the status of the consignment.
 - ix. Bidder has to confirm that manufacturing faults OR non-compliance to OGDCL Tender clauses pointed out by OGDCL at any stage before, during commissioning or after commissioning during warranty period will be rectified by the contractor at its own cost.
 - x. Bidder must have its own manufacturing Facility. Outsourcing of whole job would not be allowed.
 - xi. Bidder should not be black-listed by any Governmental, Semi-Governmental Organization.
 - xii. All kind of Loading, Transportation and Off-loading to OGDCL Site would be responsibility of Supplier.
 - xiii. In case of joint venture, copy of contract on judiciary stamp paper should be provided in technical bid clearly mentioning the lead partner. The lead partner should fulfill "Requirements for bid submission" and from Para 3.i to 3.xii.

4. Delivery Period.

Delivery period shall be 06 Months after issuance of LPO. Bidder has to

2/2

arrange to deliver all the tanks at their own transport as per following locations.

- a- 10 Nos at Tando Alam Oil Complex which is 20-30 kms away from Distt. Hyderabad
- b- 10 Nos. at Chaknaurang Oil Field which is 20-30 Kms away from Chakwaal.

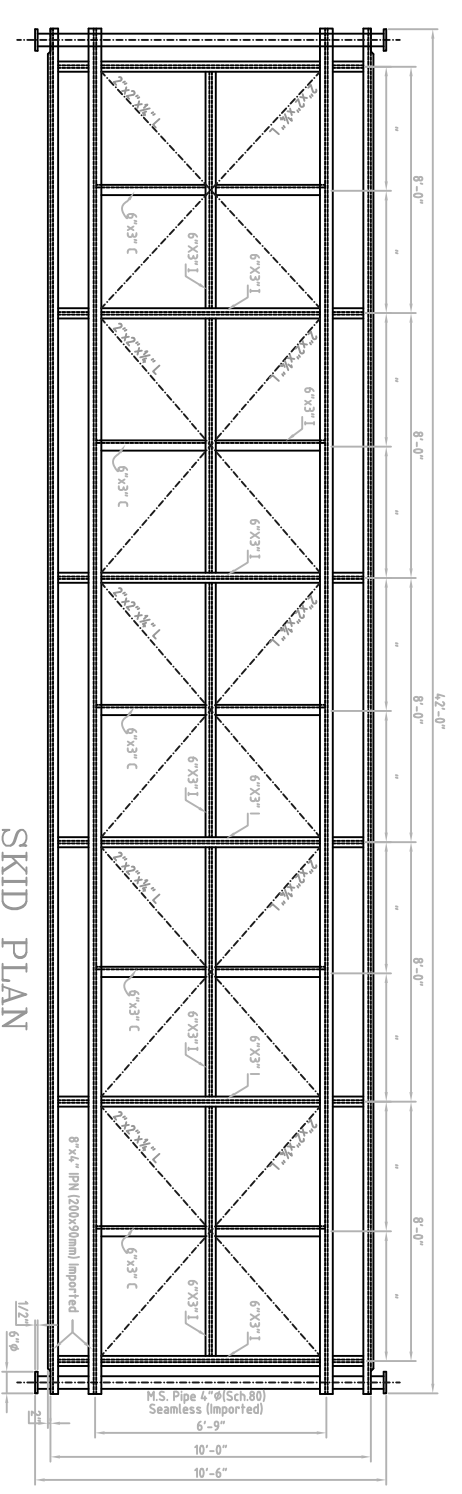
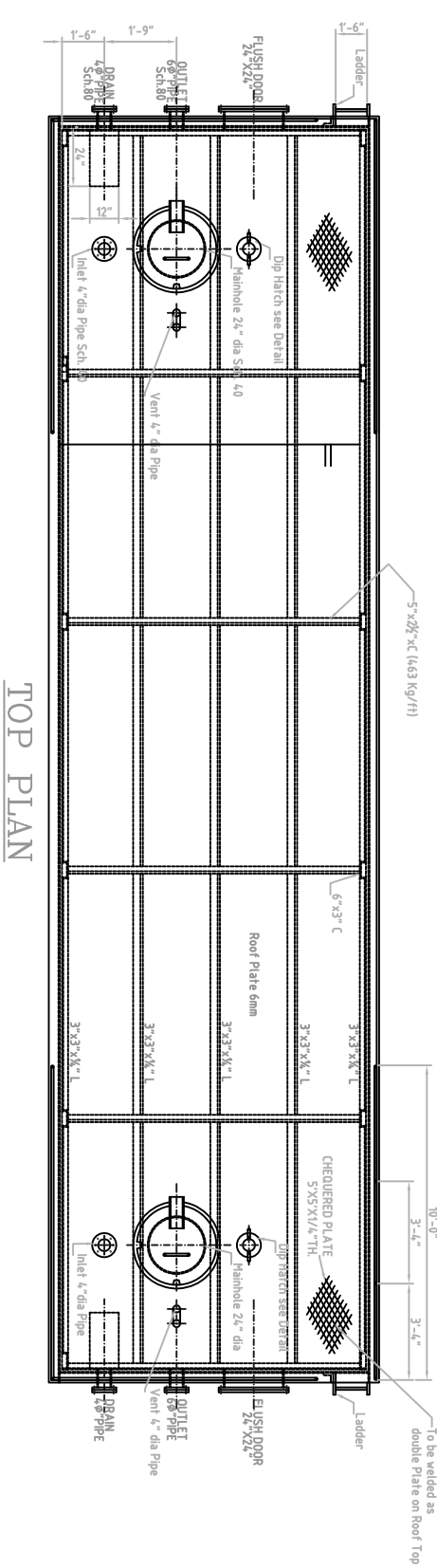
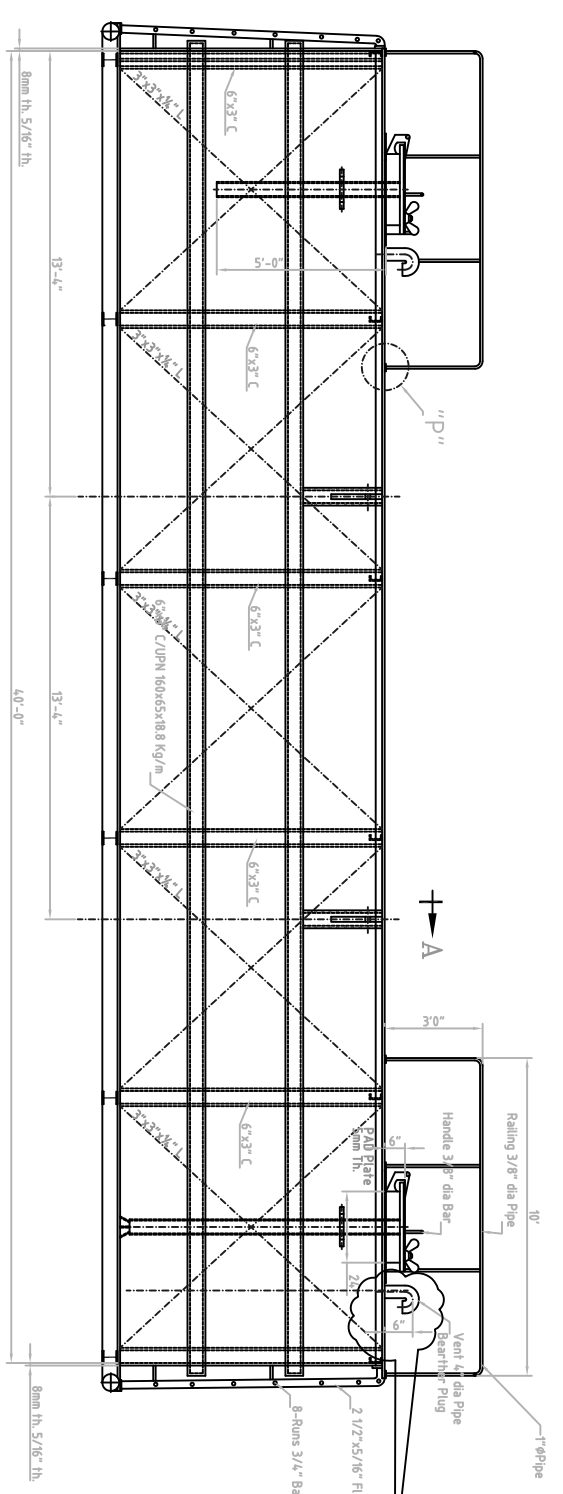
5. Bidder evaluation Criteria

Prospective bidder's shall be evaluated on the following qualitative Evaluation criteria. Min. qualifications marks are 70%.

Sr. #	OGDCL Requirement	Total Nos.	Marks Obtained	%age acquired
i	Manufacturing experience of last 05 years of same type of tanks as per clause # 3(i). a-more than 20 tanks in 5 years b-For 11-20 tanks in 5 years c-For 5-10 tanks in 5 years d- Less Than 05 Tanks in 5 years	20 15 10 0		
ii	Details of bidder's manufacturing facility a-Company having all the in-house facilities for fabrications. b- Outsourcing	15 0		
iii	PEC registration for C-4 category along with provision of valid PEC certificates a- PEC C4 and above registered firms b- PEC C5 registered firms and below	20 0		
iv	NTN registration along with certificate as per clause # 3(iii). a-complied b-Not complied	5 0		
v	Provision of 03 years audit report having turn over more than 80 Million a- 03 years and above b- 02 years and below	20 0		
vi	100% compliance of OGDCL technical specifications as per Annexure "A" without any deviation. a-Acceptance without deviation b-Acceptance with any deviation	20 0		
	Marks obtained:	100		

Note:

Bid shall be considered Non-Responsive if the bidder acquired zero marks in any one of the above points of bidder evaluation criteria (Point # i to v).



NOTE 1: - All the flanges shall be welded neck type.
NOTE 2: - Roof shall be provided 30 mm slop from centre.
NOTE 3: - Design Code API-650.

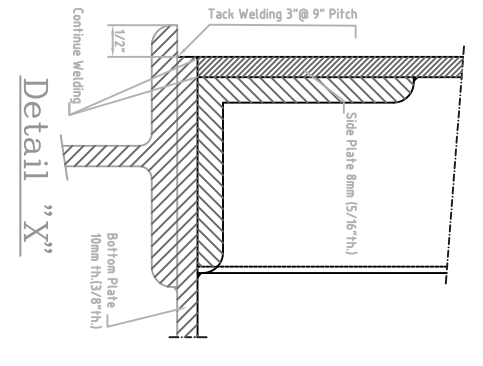
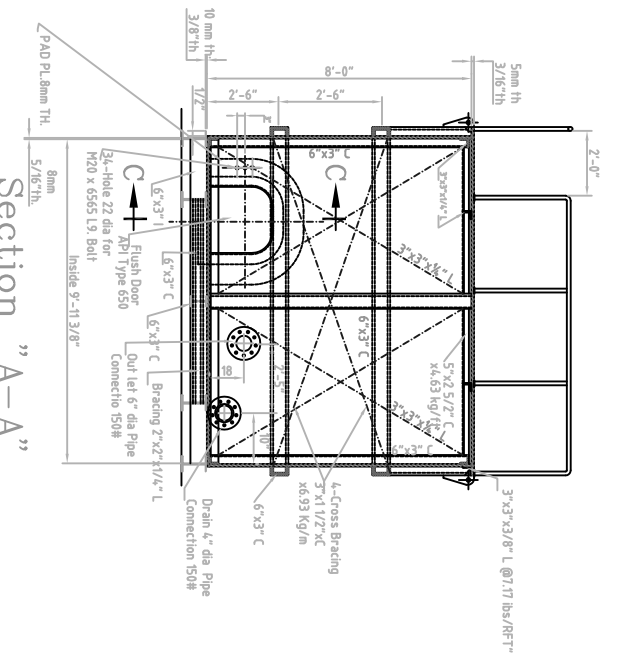
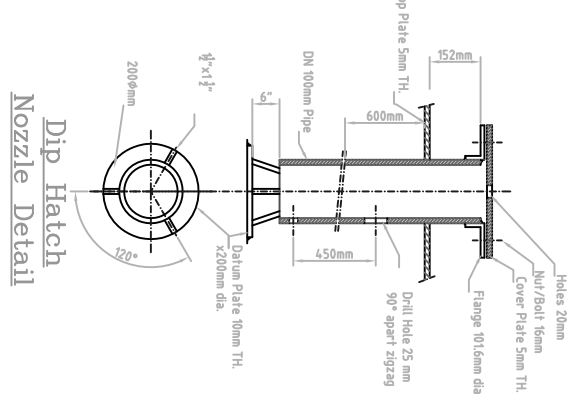
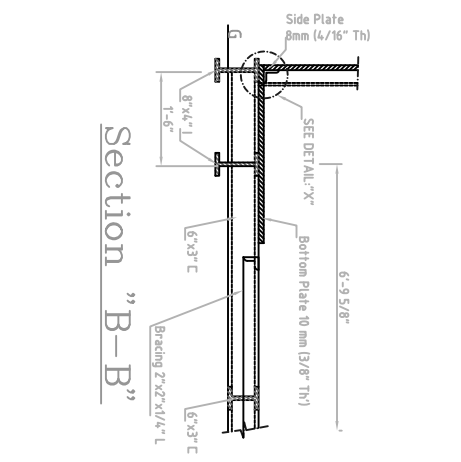
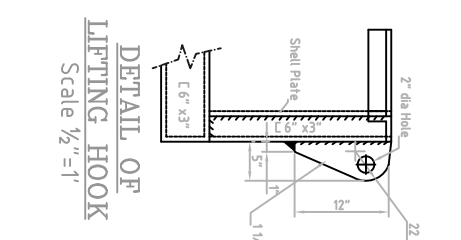
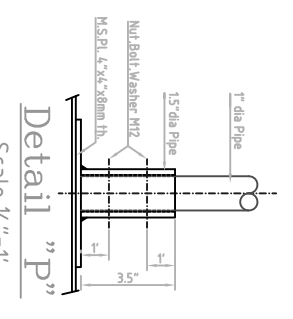
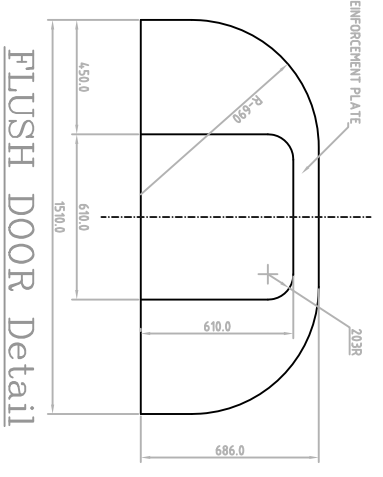
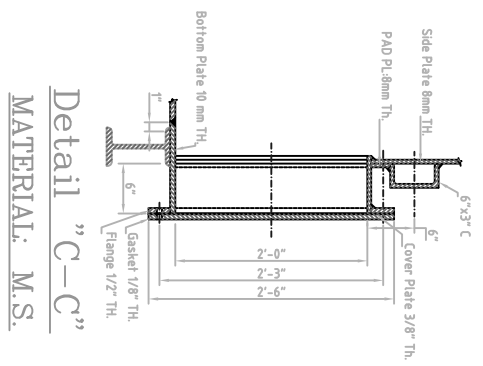
PAINT
 FRP Coating 3mm inside and walls of the tank.
 Bitumen painting on skid
 Enamel painting of exterior dark green color.

DRAWING HISTORY	
ISSUE	PURPOSE
8	
7	
6	
5	

Approved	Rashid Mehmood
Checked	Fasih Akhtar
CAD by	Abid Hussain Shah
Project Engineer	

Oil & Gas Development Corporation
 Petroleum Engg. & Facilities Deptt.
 Production Division

Oil STORAGE TANK (500 BBL)
 Project: **Oil STORAGE TANK**



NOTE THE BRACING (ANGLE) SHOULD BE TACK WELDED 3" AT 9" PITCH ZIG-ZAG.