

**OIL & GAS DEVELOPMENT COMPANY LIMITED
PROCUREMENT DEPARTMENT, ISLAMABAD
FOREIGN SECTION A**

(To be completed, filled in, signed and stamped by the principal)

ANNEXURE 'A'

page 1/4

Material SPARE PARTS FOR VIKING PUMPS
Tender Enquiry No PROC-FA/CB/P&P/PUMP-4277/2019
Due Date
Evaluation Criteria FULL

SCHEDULE OF REQUIREMENT

Sr No	Description	Unit	Quantity	Unit Price (FOB)	Total Price (FOB)	Unit Price C & F BY SEA	Total Price C & F BY SEA	Deviated From Tender Spec. If Any
1	Rebuilt Kit, Part # 3-464-Rebuild-K316, Pump Model No: LS4123A ; SN: 8387930297	Number	1					
2	Seal Kit, Pump Model No: LS4123A ; SN: 8387930297	Number	1					
3	Rebuilt Kit, Part # 3-464-Rebuild-K429, Pump Model No: KE4195 ; SN:8297830117-120	Number	2					
4	Seal Kit, Part # 3-464-SEAL-K424, Pump Model No: KE4195 ; SN:8297830117-120	Number	2					

Notes

1 attached

2/4

1. **Bid bond and Bid Validity**:-Pursuant to tender clause # 2.2, 11.4, 13 & 35.3.2, bid(s) must be accompanied by an upfront bid bond in the form of pay order/ demand draft or bank guarantee issued by scheduled bank of Pakistan or a branch of foreign bank operating in Pakistan, for an amount of **US\$ 600/-** (US\$ six hundred only) or equivalent Pak Rupees, with technical bid and valid for 150 days from the date of opening of the bids. The bank guarantee must be issued in accordance with the format as per Annexure-C of the tender documents.

2. **Shipment from ACU member Countries**: In case of shipment from ACU member countries, the LC beneficiary should be of that particular country from where the consignment is being shipped.

3. **Terms and conditions**:-Bidders are advised to carefully read all the terms and conditions of the Tender Document available at OGDCL web site in the master tender document.

4. **Summary rejection criteria**: - The summary rejection criteria at clause 35 of the tender document may also be examined carefully. Any bid not meeting the criteria spelled in the clause # 35 shall be summarily rejected without any right of appeal. The detailed tender document is available on OGDCL website as "Master set of tender document-Foreign".

4. **Payment Terms**: Clause No: 3 of Section-III (Part-B) i.e. Conditions of Contract "Special" of Tender Document has been amended and following will be the payments methods.

i. **Tender value less than or equal to US\$ 200,000**:-Payment to the Contractor/ bidder in foreign currency shall be made by establishing in favor of the Contractor an irrevocable Letter of Credit (hereinafter called the L/C). 70 % Payment (s) under the L/C will be made for the FOB/ CFR / CPT (as the case may be) price of material of each shipment upon submission of the shipping documents. Balance 30% Payment will be released after receipt, inspection and acceptance of material.

ii. **Tender value more than US\$ 200,000**: Payment to the Contractor/ bidder in foreign currency shall be made by establishing in favor of the Contractor an irrevocable Letter of Credit (hereinafter called the L/C). 80 % Payment (s) under the L/C will be made for the FOB/ CFR / CPT (as the case may be) price of material of each shipment upon submission of the shipping documents. Balance 20% Payment will be released after receipt, inspection (in addition of pre-shipment inspection) and acceptance of material.



TECHNICAL SERVICE MANUAL

HEAVY-DUTY PUMPS

SERIES 4195

SIZES KE, KKE, LQE, LSE, Q, & QS

SECTION	TSM 144.1
PAGE	1 OF 10
ISSUE	B

CONTENTS

Introduction	1
Safety Information	2
Special Information	3
Special Mechanical Seals	3
Maintenance	3
Disassembly	4
Assembly	7
Thrust Bearing Adjustment	8
Installation of Carbon Graphite Bushings	8
Pressure Relief Valve Instructions	9

UNMOUNTED PUMP	UNITS			
Flange & Foot Mounted	Units are designated by the unmounted pump model numbers followed by a letter(s) indicating drive style. D = Direct Drive M = Horizontal Direct Drive R = Reducer Drive			
<table> <tr> <td>✓ KE4195</td> <td>LQE4195</td> </tr> <tr> <td>KKE4195</td> <td>LSE4195</td> </tr> </table>		✓ KE4195	LQE4195	KKE4195
✓ KE4195	LQE4195			
KKE4195	LSE4195			
Foot Mounted	D = Direct Drive R = Reducer Drive			
<table> <tr> <td>Q4195</td> <td>QS4195</td> </tr> </table>		Q4195	QS4195	
Q4195	QS4195			

INTRODUCTION

The illustrations used in this manual are for identification purposes only and cannot be used for ordering parts. Obtain a parts list from the factory or a Viking® representative. Always give complete name of part, part number and material with model number and serial number of pump when ordering repair parts. The unmounted pump or pump unit model number and serial number are on the nameplate.

In the Viking model number system, basic size letters are combined with series number (4195) are used to indicate either an unmounted pump or mounted pump unit.

This manual deals only with Series 4195 Heavy Duty Pumps. Refer to Figures 1 through 10 for general configuration and nomenclature used in this manual. Pump specifications and recommendations are listed in Catalog Section 144, Series 4195 and 495 Heavy Duty Pumps.

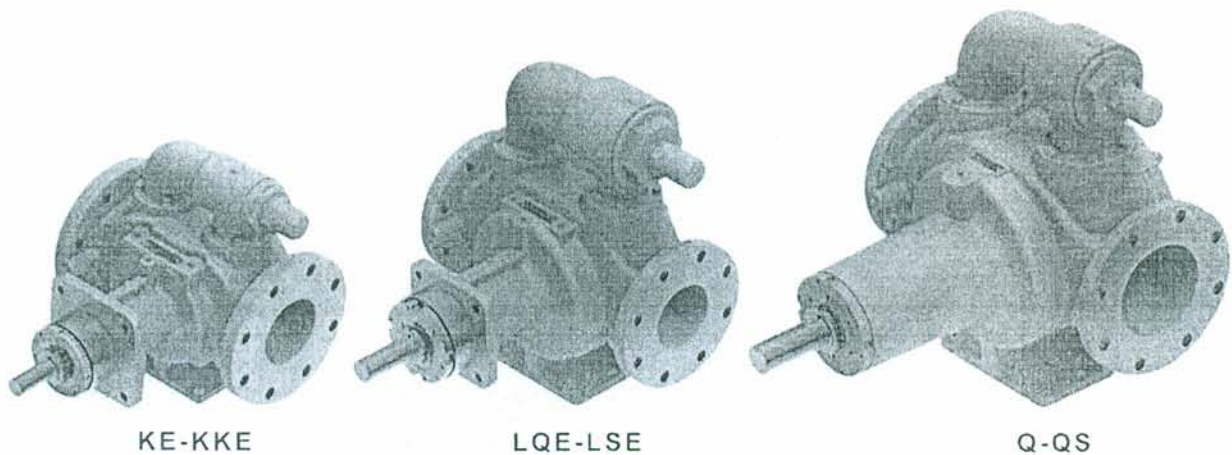


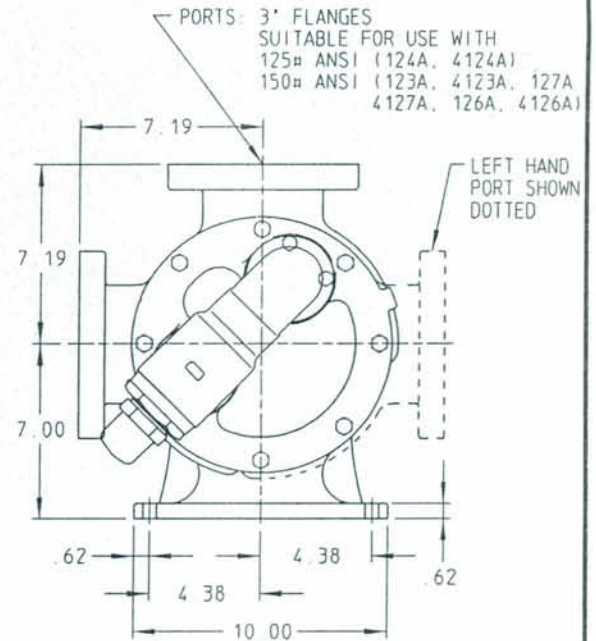
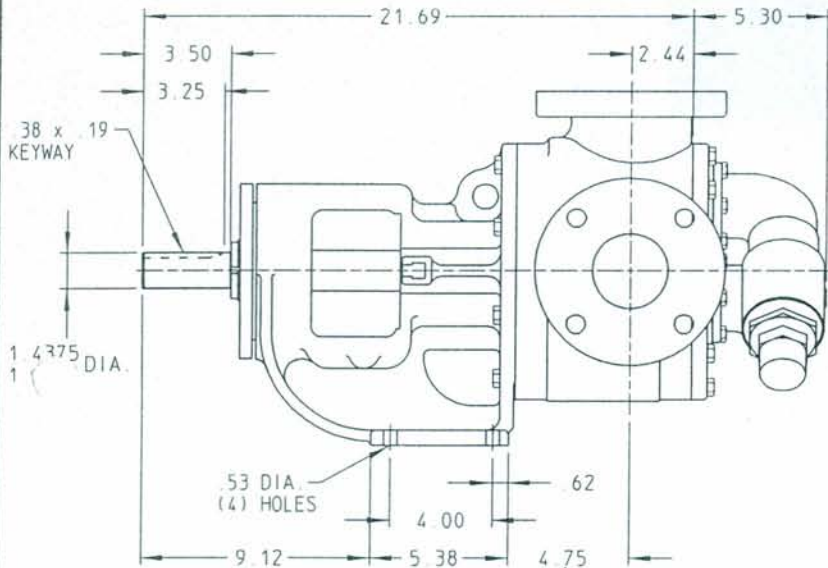
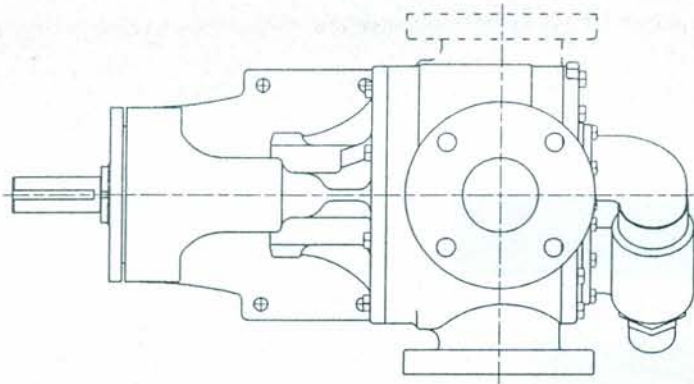
FIGURE 1

KE, KKE, LQE, & LSE 4195 SERIES - Flange & Foot Mounted Unmounted Pumps with Flanged Ports
 Q & QS 4195 SERIES - Foot Mounted Unmounted Pumps with Flanged Ports



4/4

DRAWING NO.
LV-3388



STANDARD MODELS: LS124A, LS4124A, LS123A, LS4123A, LS127A, LS4127A, LS126A, LS4126A

DRAWN JAKEL DATE 12 MAR 1991
CHECKED DC DATE 12 MAR 1991

THIS DRAWING IS THE PROPERTY OF VIKING PUMP INC. AND IS PROPRIETARY IN GENERAL AND DETAIL. IT SHALL NOT BE COPIED OR ITS CONTENTS REVEALED TO OUTSIDE PARTIES WITHOUT THE WRITTEN CONSENT OF VIKING PUMP INC.



VIKING PUMP, INC.
A Unit of IDEX Corporation
Cedar Falls, Iowa 50613
U.S.A.

DRAWING NO.
LV-3388

REV. E
16 MAY 2007